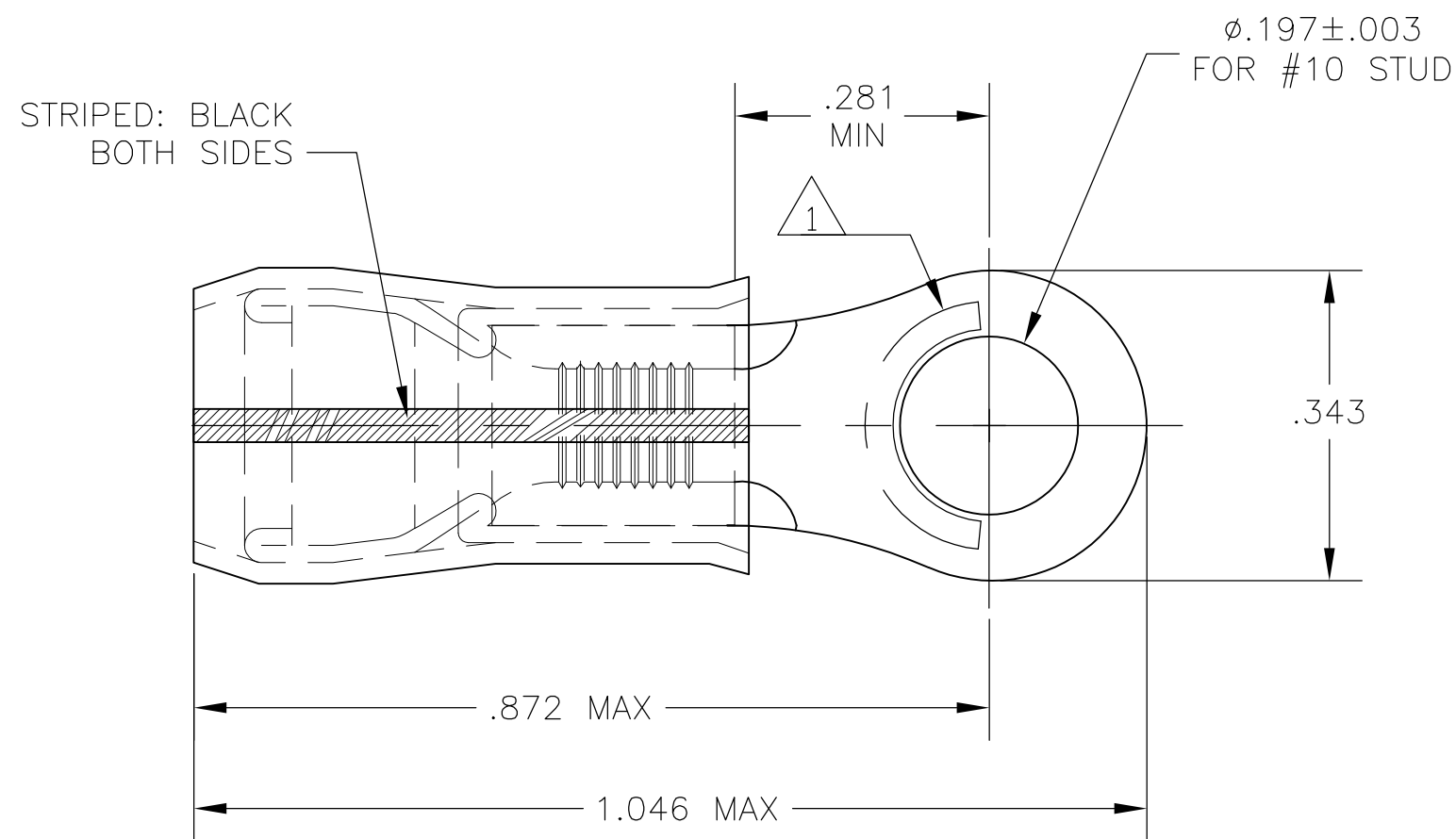


THIS DRAWING IS UNPUBLISHED. RELEASED FOR PUBLICATION
 © COPYRIGHT - BY TYCO ELECTRONICS CORPORATION. ALL RIGHTS RESERVED.

LOC	DIST	REVISIONS					
		P	LTR	DESCRIPTION	DATE	DWN	APVD
G	14						
			C1	REV PER ECR 08-020864	19AUG08	JR	TM



- 1 STAMP "AMP 16-14 HD*" LOCATED APPROX AS SHOWN.
- 2 TONGUE MATERIAL THK IS .050 MAX
- 3 FOR .230 MAX WIRE INSULATION DIA.

BODY & SLEEVE: COPPER PER ASTM B152 TIN LEAD (93-7) PLATE PER ASTM B545 (3% MIN LEAD CONTENT) INSULATION: PVF2, COLOR - NATURAL	53983-1
MATERIAL & FINISH	PART NO

THIS DRAWING IS A CONTROLLED DOCUMENT.		DWN jr_ruth 14SEP04	Tyco Electronics Corporation Harrisburg, PA 17105	
DIMENSIONS: INCHES		CHK T MICHELUTTI 14SEP04	NAME T MICHELUTTI	
		APVD T MICHELUTTI 14SEP04	PRODUCT SPEC	
TOLERANCES UNLESS OTHERWISE SPECIFIED:		APPLICATION SPEC		
0 PLC ± -		SIZE		
1 PLC ± -		CAGE CODE		
2 PLC ± -		DRAWING NO		
3 PLC ± .008		RESTRICTED TO		
4 PLC ± -		A3 00779 C-53983		
ANGLES ± 5°		SCALE 5:1		
MATERIAL -		SHEET 1 OF 1		
FINISH -		REV C1		
CUSTOMER DRAWING				